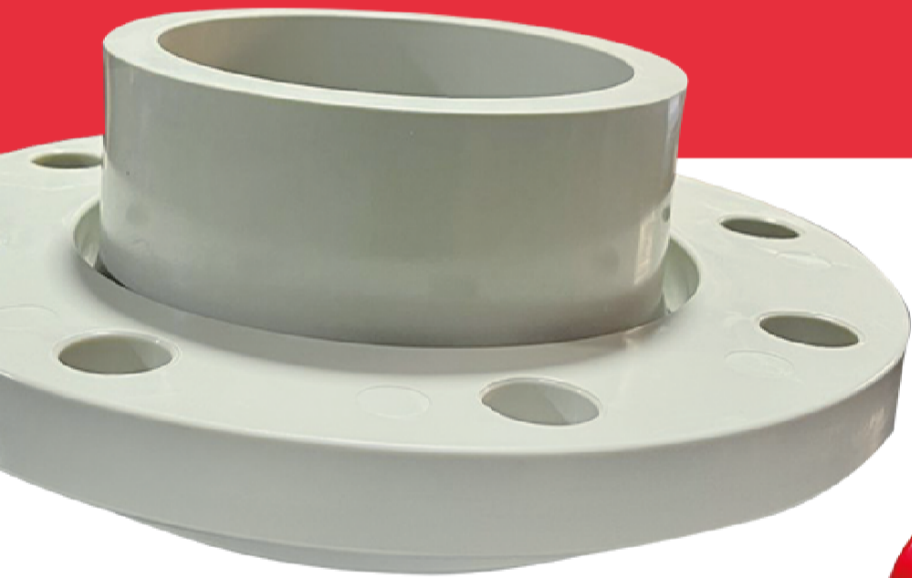




# DURAGUA®

Marca de Termofusión y Riego Perú

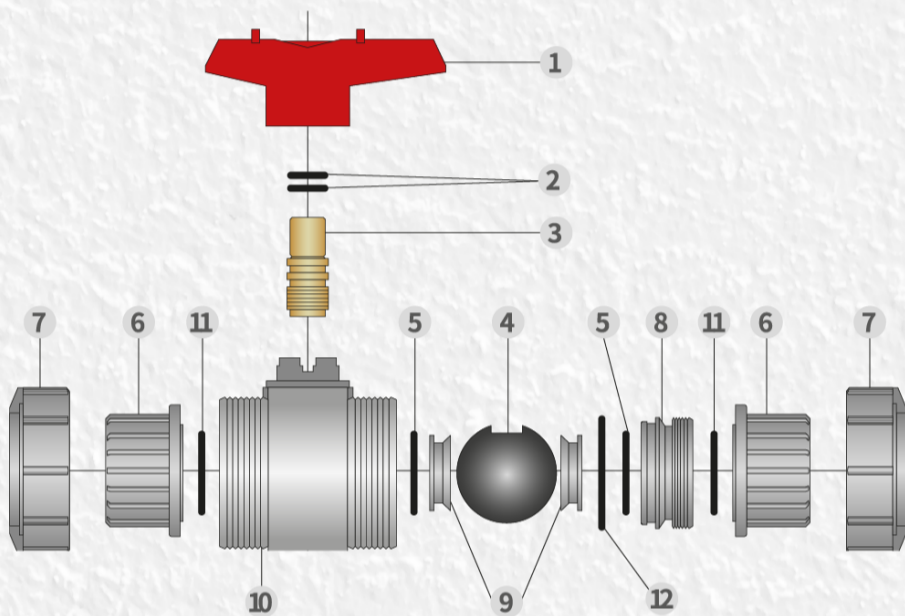
## CATÁLOGO PPH



# DOBLE UNION UNIVERSAL Q61F-10S

## CARACTERÍSTICAS PRINCIPALES

1. El asiento de PTFE de la valvula de la bola de doble union se puede ajustar firmemente.
2. Las juntas toricas dibles proporcionan doble proteccion contra fugas
3. El aspecto exquisito, superficie lisa, procesamiento fino, diseño de flujo completo.



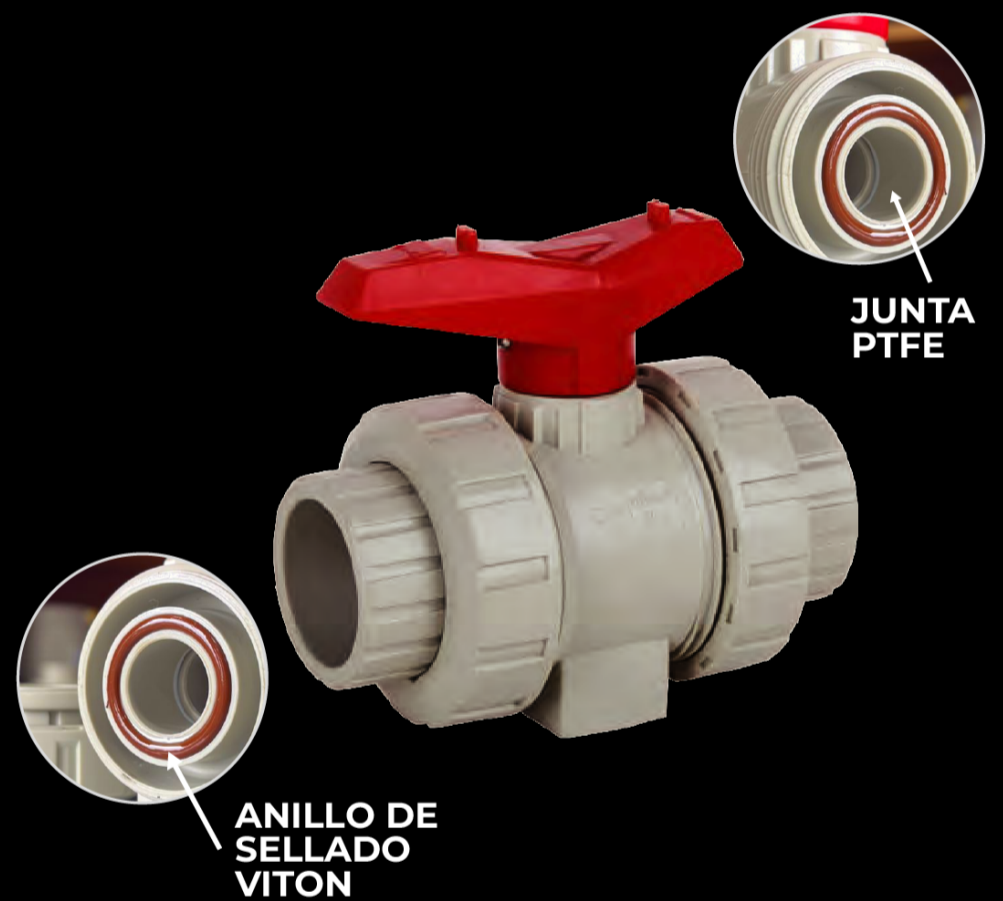
Socket Ball Valve Assembly Detail Drawing

### TABLA ESPECIFICACIONES

No.	Nombre	Material
1	Volante	Material de Aleación
2	Junta de sellado	EPDM,FPM
3	Eje	FRPP,PVDF,UPVC,CPVC,PPH
4	Bola	FRPP,PVDF,UPVC,CPVC,PPH
5	Anillo de sellado	EPDM,FPM
6	Conexion tipo campana	FRPP,PVDF,UPVC,CPVC,PPH
7	Tuerca de retencion	FRPP,PVDF,UPVC,CPVC,PPH
8	Asiento de sellado	FRPP,PVDF,UPVC,CPVC,PPH
9	Sello de bola	PTFE
10	Cuerpo	FRPP,PVDF,UPVC,CPVC,PPH
11	Anillo de sellado	EPDM,FPM
12	Anillo de sellado	EPDM,FPM



## DATO IMPORTANTE



### TEMPERATURA DEL MATERIAL

VITON: -20°C ~ +180°C  
PTFE: -100°C ~ +280°C

### RESISTENTE A ÁCIDOS

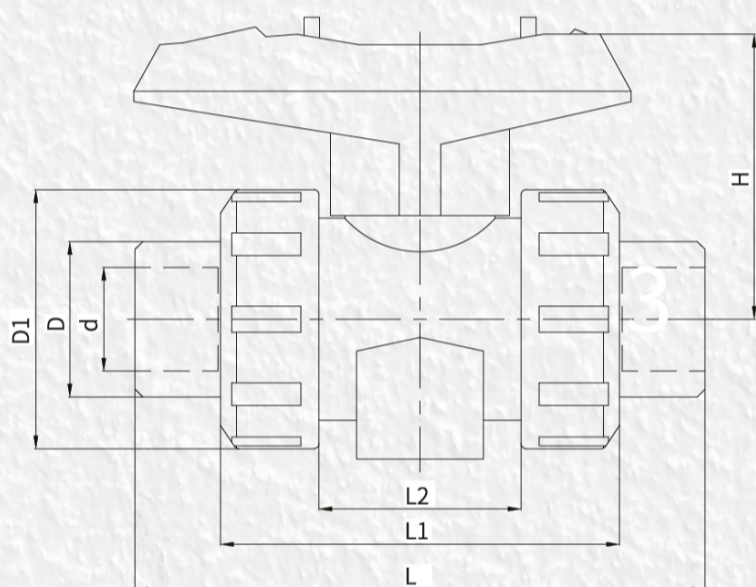
Ácido Acético  
Ácido Clorhídrico  
Ácido Nítrico  
Ácido Sulfúrico

**NO TÓXICO**

# DOBLE UNION UNIVERSAL Q61F-10S

**UNIOU (SOCKET / THREADED) BALL VALVE**

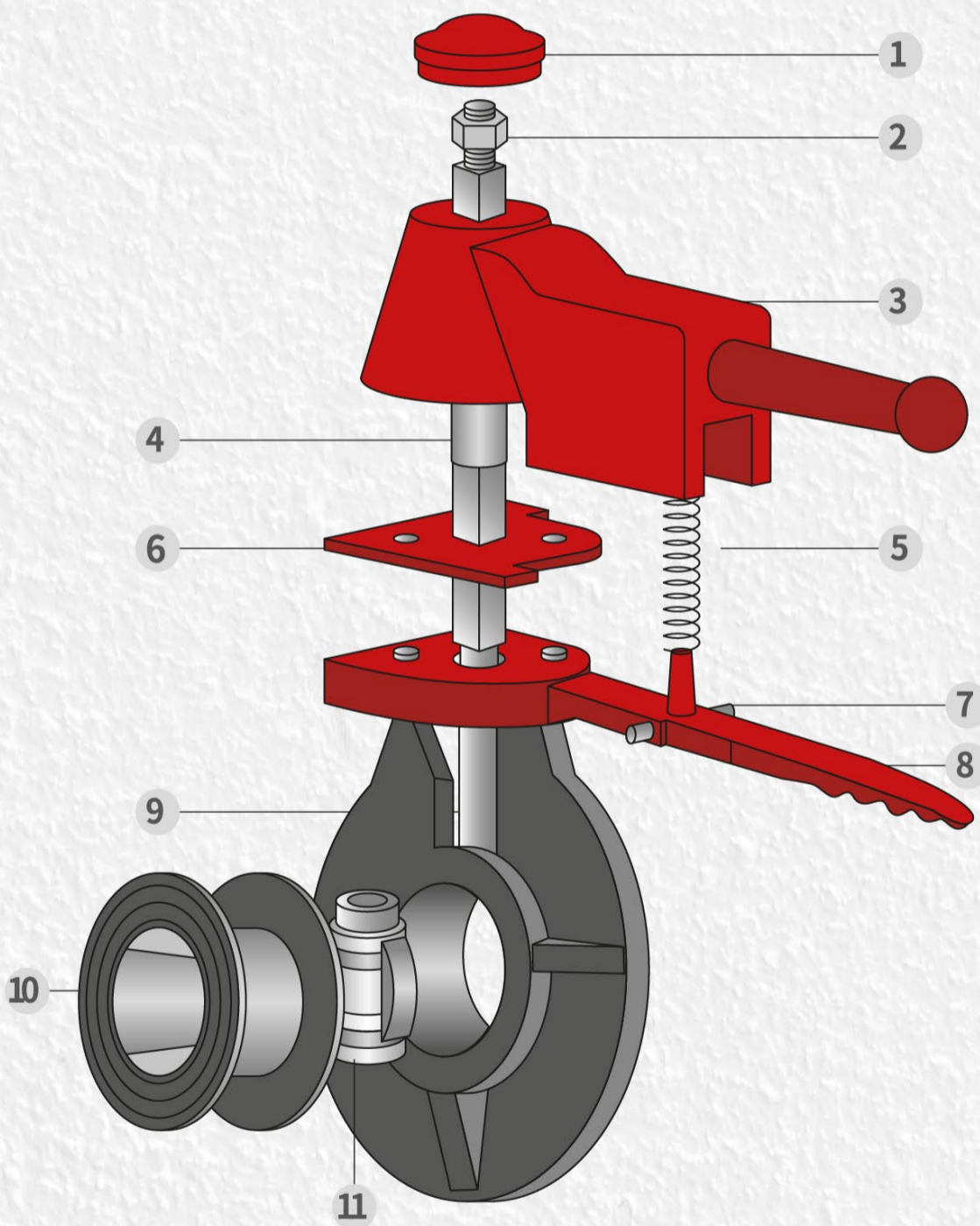
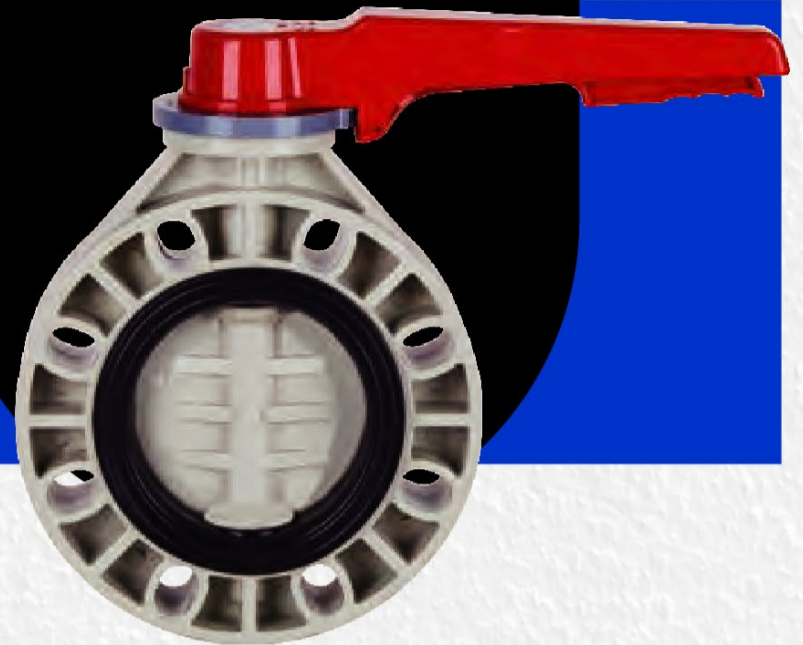
HG/T2737-2004、GB/T 7842-2019



## DIMENSIONES

DN	d	D	D1	L	L1	L2	H
15	20	32	50	110	77	39	55
20	25	38	58	125	87	46	65
25	32	46	70	140	96	50	70
32	40	56	85	160	110	55	90
40	50	65	98	170	120	60	100
50	63	80	124	190	140	68	110
65	75	96	135	230	155	68	115
80	90	112	158	280	205	100	120
100	110	133	192	335	235	124	130

# VÁLVULA MARIPOSA CON MANIJA D71X-10S



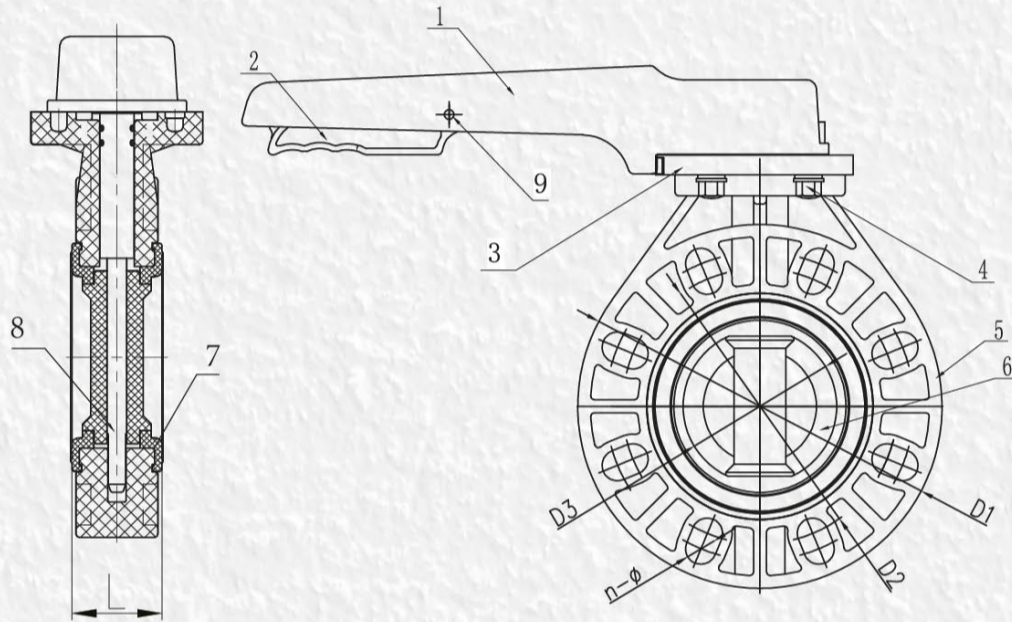
**Dibujo Detallado Del Conjunto De Válvula De Mariposa Con Manija**

1. La válvula es pequeña y liviana, fácil de desmontar y reparar, y se puede instalar en cualquier posición.
2. La estructura es simple y compacta, el par de operación es pequeño y la rotación de 90° se abre rápidamente.
3. Las características del flujo tienden a ser rectas y de rendimiento del ajuste es bueno.

### TABLA DE MATERIALES DE PIEZAS

No.	Name	Material
1	Cabezal del mango	Material de Aleación
2	Tuerca hexagonal	Acero ó Acero inoxidable
3	Volante (manivela)	Material de aleación
4	Eje	Acero ó Acero inoxidable
5	Resorte	Acero
6	Placa de ajuste de posición	Material de Aleación
7	Pasador	Acero
8	Varilla de guía	Material de Aleación
9	Cuerpo	FRPP,PVDF,CPVC, UPVC,PPH
10	Goma de sellado	EPDM,FPM
11	Placa de válvula	FRPP,PVDF,CPVC, UPVC,PPH

# VÁLVULA MARIPOSA CON MANIJA D71X-10S



TABLA

NO.	Nombre de la pieza	Material	Qty.
1	Mango	Material de Aleación	1
2	Varilla Guía	Material de Aleación	1
3	Placa De Ajuste	Material de Aleación	1
4	Tuerca De Tapa	FRPP	4
5	Cuerpo	FRPP,PVDF,CPVC,UPVC,PPH	1
6	Disco De Válvula	FRPP,PVDF,CPVC,UPVC,PPH	1
7	Junta De Goma	EPDM, FPM	1
8	Vastago	Acero, Acero Inoxidable	1
9	Pasador	Material de Aleación	1

DIMENSIONES

DN(mm)	D1	D2			D3	L	n-Φ		
		GB	JIS	ANSI			GB	JIS	ANSI
40 (1 1/2")	148	110	105	3.88	45	39	4-Φ19X25	4-Φ19X25	4-Φ19X25
50 (2")	162	125	120	4.74	50	40	4-Φ19X26.5	4-Φ19X26.5	4-Φ19X26.5
65 (2 1/2")	180	145	140	5.49	64	42	4-Φ19X26.5	4-Φ19X26.5	4-Φ19X26.5
80 (3")	198	160	150	6	77	42	8-Φ19X25	8-Φ19X24	8-Φ19X25
100 (4")	225	180	175	7.5	96	52	8-Φ18X32	8-Φ19X32	8-Φ19X32
125 (5")	255	210	210	8.5	120	61	8-Φ23X33	8-Φ23X33	8-Φ23X33
150 (6")	285	240	240	9.51	145	71	8-Φ23X34	8-Φ23X34	8-Φ23X34
200 (8")	340	295	290	11.75	196.5	81	8-Φ23X33.5	12-Φ23x27	8-Φ23x33.5

# VÁLVULA CHECK SWING TYPE H44F-10S

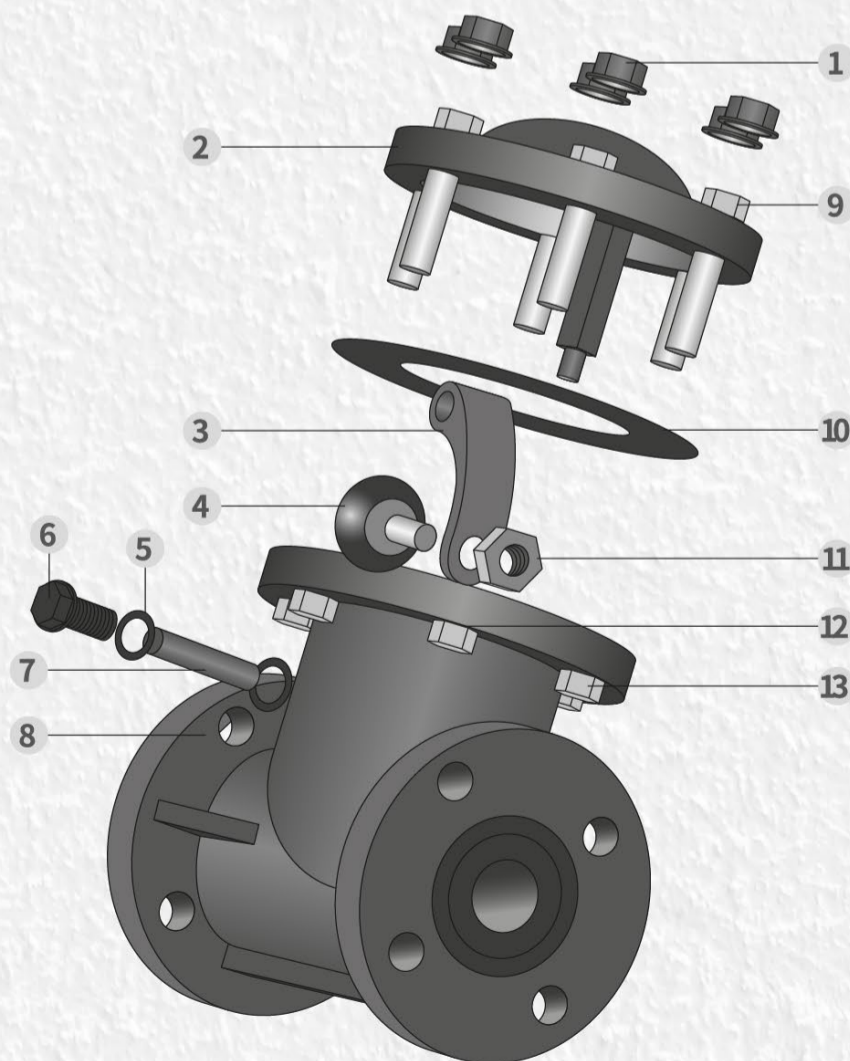
## Características principales:

1. Evita el retroceso del líquido, protegiendo el equipo de bombeo.
2. Al ser una válvula de retención tipo voladizo, ofrece menor resistencia al flujo.
3. Fabricada completamente en materiales plásticos, brinda alta resistencia a la corrosión, ideal para fluidos ácidos o alcalinos.
4. Permite desmontar el cuerpo de la válvula y abrir la tapa para inspección o mantenimiento interno.

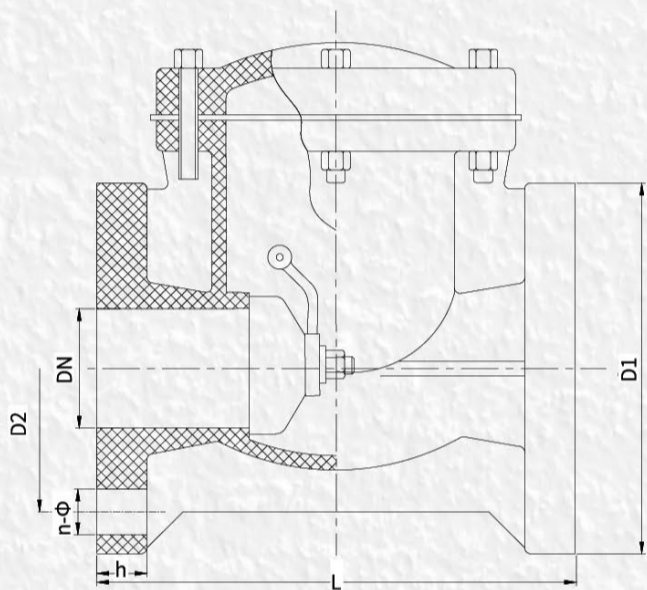


Válvula de retención tipo columpio - Detalle de ensamblaje

N°	Nombre	Material
1	Tuerca de tapa	FRPP
2	Tapa o bonete	FRPP,PVDF,CPVC,UPVC,PPH
3	Balancín o brazo	FRPP,PVDF,CPVC,UPVC,PPH
4	Cubierta	FRPP,PVDF,CPVC,UPVC,PPH
5	Anillo de sellado	EPDM,FPM
6	Tuerca de sello	FRPP,PVDF,CPVC,UPVC,PPH
7	Varilla de conexión	FRPP,PVDF,CPVC,UPVC,PPH
8	Cuerpo	FRPP,PVDF,CPVC,UPVC,PPH
9	Perno hexagonal	ACERO O ACERO INOXIDABLE
10	O-rings	EPDM,FPM
11	Perno hexagonal	FRPP,PVDF,CPVC,UPVC,PPH
12	Pieza de relleno	ACERO O ACERO INOXIDABLE
13	Tuercas hexagonales	ACERO O ACERO INOXIDABLE



# VÁLVULA CHECK SWING TYPE H44F-10S

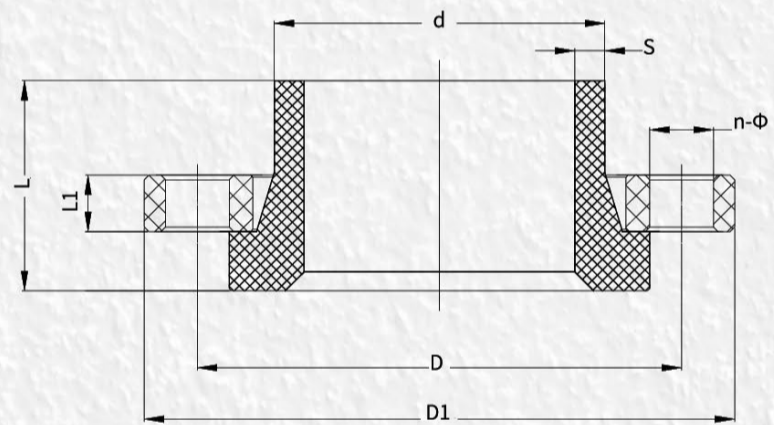
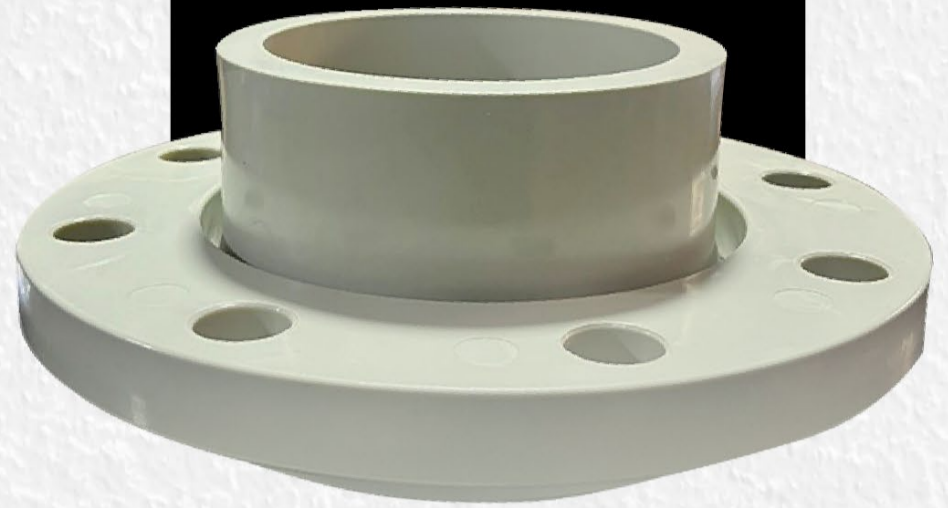


## Dimensiones

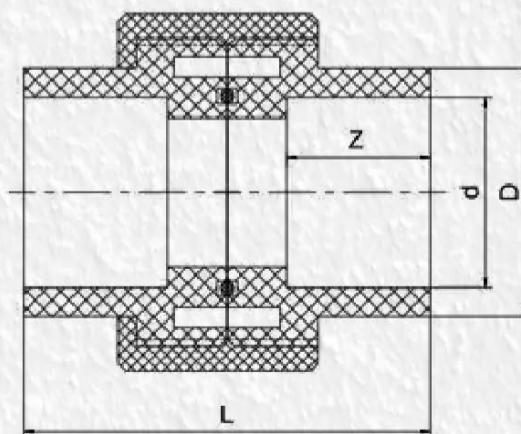
DN (mm)	D1	D2			L	h	n-φ		
		GB	JIS	ANSI			GB	JIS	ANSI
25(1")	115	85	90	3.13	160	18	4-φ14	4-φ19	4-φ16
32 (1 1/4")	145	100	100	3.45	170	20	4-φ18	4-φ19	4-φ16
40 (1 1/2")	145	110	105	3.88	170	20	4-φ18	4-φ19	4-φ16
50 (2")	160	125	120	4.74	200	21	4-φ18	4-φ19	4-φ19
65 (2 1/2")	180	145	140	5.49	240	25	4-φ18	4-φ19	4-φ19
80 (3")	197	160	150	6	265	26	8-φ18	8-φ19	4-φ19
100 (4")	215	180	175	7.5	300	26	8-φ18	8-φ19	8-φ19
125 (5")	250	210	210	8.5	350	30	8-φ18	8-φ23	8-φ22
150 (6")	280	240	240	9.51	400	30	8-φ23	8-φ23	8-φ22
200 (8")	340	295	290	11.75	500	30	8-φ23	12-φ23	8-φ22
250 (10")	390	350	355	14.25	575	38	12-φ23	12-φ23	12-φ22
300 (12")	440	400	400	17	575	38	12-φ23	16-φ23	12-φ22

# Brida Recubierta PPH

DN	D	D1	d	S	L1	n-Φ
15	65	95	20	2.5	12	4-Φ14
20	75	105	25	2.7	12	4-Φ14
25	85	115	32	3.0	16	4-Φ14
32	100	140	40	3.7	20	4-Φ18
40	110	150	50	4.6	20	4-Φ18
50	125	165	63	5.8	20	4-Φ18
65	145	185	75	6.9	20	4-Φ18
80	160	200	90	8.2	20	8-Φ18
100	180	220	110	10.0	20	8-Φ18
125	210	250	140	12.8	22	8-Φ18
150	240	285	160	14.6	22	8-Φ23
200	295	340	225	20.5	24	8-Φ23
250	350	395	280	25.5	26	12-Φ23
300	400	445	315	28.7	42.5	12-Φ23
350	476	535	355	32.5	43	16-Φ23
400	515	565	400	36.4	60	16-Φ26
450	565	615	450	41	70	20-Φ26
500	620	670	500	45.5	75	20-Φ26



# Union PPH

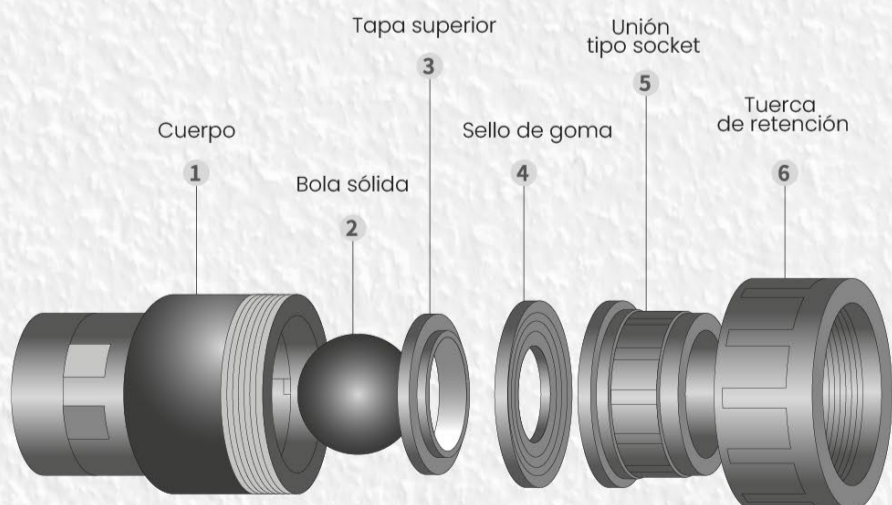
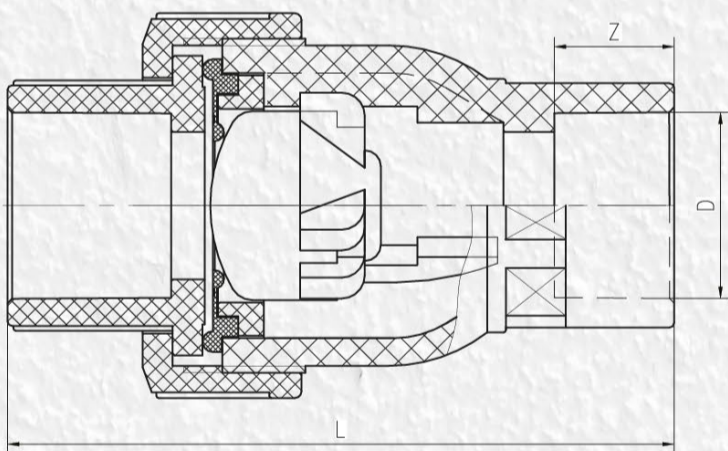


DN	D1	d	L	Z
15	49	20	48	16
20	55	25	52	20
25	68	32	60	22
32	78	40	71	27
40	93	50	80	31
50	103	63	100	38
65	118	75	111	44
80	154	90	135	51
100	188	110	157	61

# VÁLVULA CHECK BOLA H61F-10S

## Características principales:

- 1. Protección antirretorno**  
 La válvula no es susceptible a la presión externa debido a su reducido número de componentes. Al mismo tiempo, la válvula es altamente precisa, por lo que el retorno puede prevenirse completamente.
- 2. Estructura ligera y compacta**  
 La estructura de la válvula es ligera y delicada, lo que permite instalarla en espacios reducidos y facilita su mantenimiento.



DN	L	D	Z
15	86	20	20
20	103	25	24
25	117	32	26.5
32	144	40	26
40	154	50	31
50	175	63	35
65	270	75	45
80	275	90	45
100	320	110	57

## MANAGEMENT SYSTEM CERTIFICATION

This is to certify that  
the **ENVIRONMENTAL MANAGEMENT SYSTEM** of

**Kaixin Pipeline Technology Co., LTD**

Organization Code: 913302067843203193

Registered Address: No.01 Building 1, No.01 Building 2, No.01 Building 3 and No.4 Building  
539 Bohai Road, New Beilun District

Business Address: Building 01, Building 01, Building 01, Building 01, Building 01, Building 01,  
Building 01, Building 4, No. 539, Bohai Road, Xinqi District, Beilun District,  
Ningbo, Zhejiang

has been assessed by SYIC Certification and found to comply with

**GB/T24001-2016 / ISO14001:2015**

for the scope of activities

Production Of Anticorrosive Valves, Pipes And Fittings Within The Permitted Scope

Certificate No: R306E12081  
First Registration Date: Apr 06, 2023  
Date of Issue: Apr 06, 2023  
Certificate expiry date: Apr 05, 2026



ISSUED

The certificated organization must be regularly monitored and audited according to the provisions of the certification service contract, and this certificate will continue to be valid after passing the audit.  
Login [www.shen1.net](http://www.shen1.net) or scan the QR code to check the certificate is valid or not. The certificate information is also available on the CNCA official website: <http://www.cnca.gov.cn>.

**Shenyl Inspection & Certification Co.,Ltd.**

Address: Building 4-1, No.650, Shunqing Road, Jiuting Town, Songjiang District, Shanghai Post Code:201612

TERMOFUSIÓN Y RIEGO PERÚ SAC / RUC 20604167796

SYIC CERTIFICATION

## MANAGEMENT SYSTEM CERTIFICATION

This is to certify that  
The **QUALITY MANAGEMENT SYSTEM** of

**Kaixin Pipeline Technology Co., LTD**

Organization Code: 913302067843203193

Registered Address: No.01 Building 1, No.01 Building 2, No.01 Building 3 and No.4 Building  
539 Bohai Road, New Beilun District

Business Address: Building 01, Building 01, Building 01, Building 01, Building 01, Building 01,  
Building 01, Building 4, No. 539, Bohai Road, Xinqi District, Beilun District,  
Ningbo, Zhejiang

has been assessed by SYIC Certification and found to comply with

**GB/T19001-2016 / ISO9001:2015**

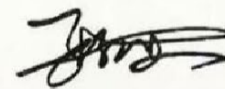
for the scope of activities

Production Of Anticorrosive Valves, Pipes And Fittings Within The Permitted Scope

Certificate No: R306Q12080  
First Registration Date: Apr 06, 2023  
Date of Issue: Apr 06, 2023  
Certificate expiry date: Apr 05, 2026



ISSUED



The certificated organization must be regularly monitored and audited according to the provisions of the certification service contract, and this certificate will continue to be valid after passing the audit.  
Login [www.shen1.net](http://www.shen1.net) or scan the QR code to check the certificate is valid or not. The certificate information is also available on the CNCA official website: <http://www.cnca.gov.cn>.

**Shenyl Inspection & Certification Co.,Ltd.**

Address: Building 4-1, No.650, Shunqing Road, Jiuting Town, Songjiang District, Shanghai Post Code:201612

TERMOFUSIÓN Y RIEGO PERÚ SAC / RUC 20604167796

SYIC CERTIFICATION

## MANAGEMENT SYSTEM CERTIFICATION

This is to certify that  
the **OCCUPATIONAL HEALTH AND SAFETY MANAGEMENT SYSTEM** of

**Kaixin Pipeline Technology Co., LTD**

Organization Code: 913302067843203193

Registered Address: No.01 Building 1, No.01 Building 2, No.01 Building 3 and No.4 Building  
539 Bohai Road, New Beilun District

Business Address: Building 01, Building 01, Building 01, Building 01, Building 01, Building 01,  
Building 01, Building 4, No. 539, Bohai Road, Xinqi District, Beilun District,  
Ningbo, Zhejiang

has been assessed by SYIC Certification and found to comply with

**GB/T45001-2020 / ISO 45001:2018**

for the scope of activities

Production Of Anticorrosive Valves, Pipes And Fittings Within The Permitted Scope

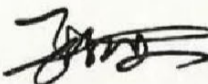
Certificate No: R306S12082

First Registration Date: Apr 06, 2023

Date of Issue: Apr 06, 2023

Certificate expiry date: Apr 05, 2026



ISSUED 

The certificated organization must be regularly monitored and audited according to the provisions of the certification service contract, and this certificate will continue to be valid after passing the audit.  
Login [www.shen1.net](http://www.shen1.net) or scan the QR code to check the certificate is valid or not. The certificate information is also available on the CNCA official website: <http://www.cnca.gov.cn>.

**Shenyl Inspection & Certification Co.,Ltd.**

Address: Building 4-1, No.650, Shunqing Road, Jiuting Town, Songjiang District, Shanghai Post Code:201612



Telf: (01) 292-1431

Of. Administrativa: Av. Oscar R. Benavides N° 358 Block 19 - Dpt.: 202- Lima

Tienda Comercial: Av. Argentina N°327 Centro Comercial La Bellota W1-6 -Lima


Cel: 981 455 524 / 960 988 710 / 995 699 417 / 919 299 096

---

[ventas@termofusion-riego.com](mailto:ventas@termofusion-riego.com)

[administracion@termofusion-riego.com](mailto:administracion@termofusion-riego.com)

[www.termofusion-riego.com](http://www.termofusion-riego.com)

 [termofusionyriego.pe](http://termofusionyriego.pe)

 **TERMOFUSIÓN Y  
RIEGO PERÚ S.A.C**